



SOLUTIONS

for life away

 KLEM

committed to: ENSURING SAFETY



THE STURDY ACT:

Protecting Children from
Furniture Tipping Hazards

STURDY ACT

101

The STURDY Act, enacted to safeguard small children from the dangers of tipping free-standing clothing storage units, is a vital piece of legislation

On December 23, 2022, Congress passed the fiscal 2023 omnibus spending bill, which included the STURDY Act. This legislation was introduced to address the serious safety concerns surrounding free-standing clothing storage units

KEY PROVISIONS

The STURDY Act mandates the Consumer Product Safety Commission (CPSC) to adopt the updated ASTM International F2057-23 standard as a new mandatory safety rule. This rule becomes effective for products manufactured on or after September 1, 2023

Manufacturers must ensure their products meet all three criteria for compliance: a height of at least 27 inches, a weight of 30 pounds or more, and an enclosed storage volume of at least 3.2 cubic feet



COMPLIANCE TESTING



Manufacturers are required to provide proof of testing results to demonstrate compliance with the ASTM F2057-23 standard. If a unit is borderline or non-compliant, design changes are necessary to meet the mandatory standard

MOUNTING REC'S

Secure wall attachment or floor mounting is the recommended method for compliance. Simply attaching an anti-tip device does not meet the requirements of this law. If secure mounting is not possible, alternative product design changes will be necessary to meet the requirements

Some options for design changes would include but are not limited to: adding weight to the back or bottom of the unit, reducing or eliminating the extension of the drawers, removing drawers and/or doors and utilizing open shelving

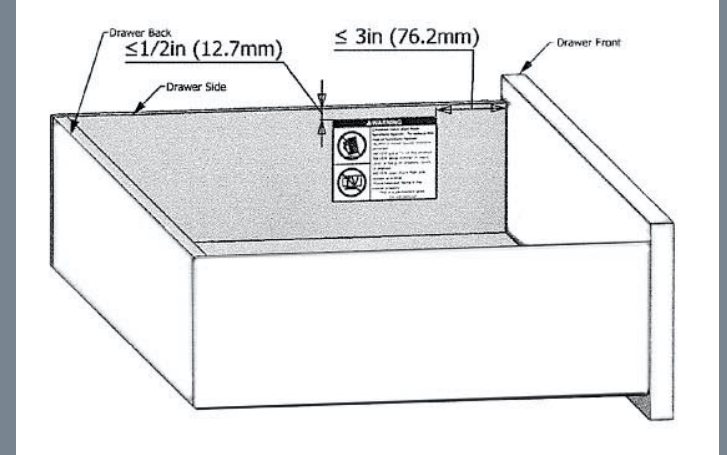
INDUSTRY IMPACT



The STURDY Act affects all hospitality manufacturers of guestroom casegoods, necessitating industry-wide compliance to ensure child safety

KLEEM'S ROLE

Klem Hospitality is committed to assisting with compliance and providing solutions. We will not quote or supply any non-compliant units. It is crucial to work within the guidelines of the STURDY Act during the design stage to avoid delays in the execution of the project.



STICKER PLACEMENT INSIDE DRAWER

THANK YOU!

The STURDY Act plays a crucial role in enhancing child safety by addressing the tipping hazards associated with free-standing clothing storage units. Industry-wide compliance is essential, and Klem Hospitality is here to support your efforts

