



discover  JSI HEALTH

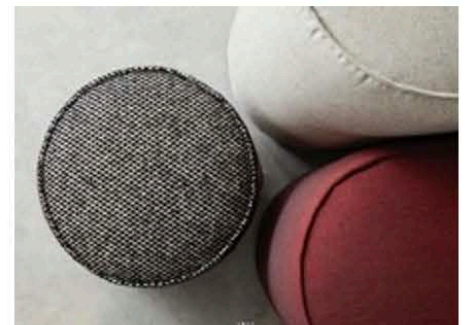
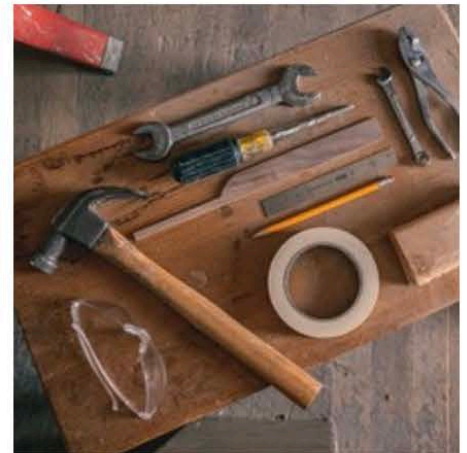
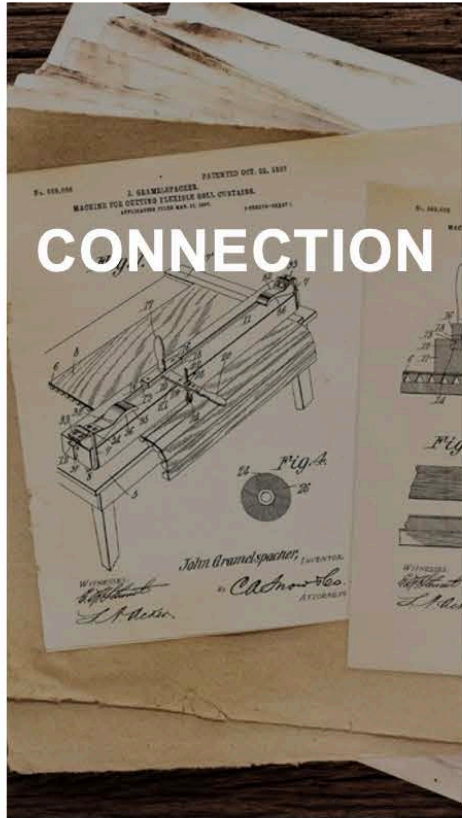


CULTURE. CONNECTION. CRAFT.

At JSI, we believe in the power of inspiration.

How it has the potential to ignite your passion and purpose. It's why we design exceptional furniture for work and life. Our purpose is to make an impact on the places where you spend your days—because we know there's no limit to what you can achieve when you're inspired to love what you do.

love what you do



PASSION & PURPOSE.

At JSI, we understand the transformative power of a healing space. It's where passion and purpose can flourish, even in challenging times. That's why we make exceptional furniture for caregiving, recovery and rejuvenation.

Our mission is to enhance spaces where health and healing occur, to offer comfort and support where it matters most—because we believe in the extraordinary potential of an environment that inspires you to love where you thrive, love where you care and ultimately, love where you heal.



DESIGN THAT SITS WELL WITH EVERYONE.

We focus on the **human-centered design approach** – prioritizing people and details that support:

- Comfort where it's needed most
- Approachable, intuitive features
- Furniture with a purpose – both beauty and function





introducing  JSI HEALTH

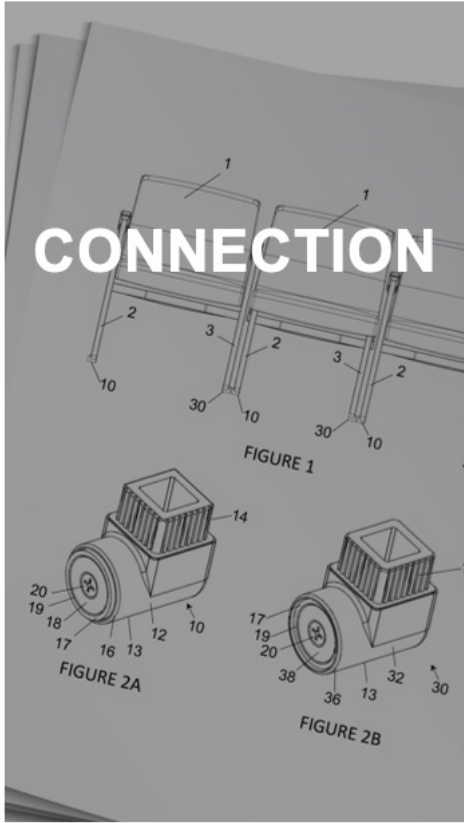
CUSTOMIZED SERVICE EXPERIENCE

BIG COMPANY WITH A CUSTOMIZED EXPERIENCE

We're large enough to service your large orders – small enough to accommodate YOUR needs

With JSI Health, you have a trusted partner in your project needs, cutting out the red tape, and providing you with the personalized support you've come to know from JSI.





NEW PRODUCTS





SATISSE metal seating

[product video](#)



FORGE modular casework



SOMNA sleep sofa

[product video](#)



KINDERA performance recliner

[product video](#)

SATISSE



multi-purpose metal seating + table family

SATISSE

COMFORT WHERE IT'S NEEDED MOST.

With its diverse offering, guests are encouraged to relax and find support in the moment. Thoughtful design allows seamless reconfiguration, catering to changing priorities, floor plans, and cleaning regimens.



SATISSE

A MAGLINX™ ATTRACTION

MagLinx™ connectors make installation simple and rearranging spaces a breeze. These patent-pending glide connectors create an incredibly strong magnetic bond without requiring hardware or additional tools, resulting in furnishings with endless flexibility.



KINDERERA



performance recliner

KINDERA

CARE STARTS WITH CONNECTION.

Kindera embodies our drive to promote seamless, engaged care. Patients can feel at ease during their treatment and recovery, while providers can flow through their work naturally.



KINDERA

HUMAN AT THE HEART

Kindera's human-centered design provides comfort where it's needed most. Adjustment controls are intuitively located for easy access by providers so they can remain focused on the patient while giving care.



KINDERA

CARE COMES NATURALLY

The Trans4rm™ system allows either arm of the recliner to retract into the frame, creating a smooth platform for safe patient transfers.



SOMMA



sleep sofa

SOMNA



SCALABLE TO FIT

Somna provides flexibility to interior designers and facilities when space is at a premium. Maintaining adaptability as a primary feature, Somna can be specified down to the inch, so it can fit perfectly into any alcove.



SOMNA

ELEVATED DESIGN

The elevated design of Somna makes it appear visually lighter while also being physically easier for staff to reposition and access below for cleaning.



FORGE

modular casework



FORGE

ELEVATING SPACES

Forge is your go-to modular casework solution that creates connection points between caregivers, patients, and ultimately, designers — to craft calming, restorative, efficient and beautiful spaces.



FORGE

GRACEFUL UTILITY

With features like soft-close doors and drawers, integrated waste solutions, and elevated wall-mount cabinets, you ensure that design choices are not sacrificed in creating elegant, purposeful spaces.



SPACES + APPLICATIONS



spaces + APPLICATIONS



1

**PATIENT
SPACES**



2

**COMMUNITY
SPACES**



3

**CAREGIVER
SPACES**



4

**ADMINISTRATIVE
SPACES**

PATIENT SPACES

APPLICATIONS

Patient room

Exam room

Treatment area



COMMUNITY SPACES

APPLICATIONS

- Lobby + waiting
- Café + dining
- Family respite
- Chapel + meditation



CAREGIVER SPACES

APPLICATIONS

- Nurses' station
- Physician's office
- Wellness + respite
- Nourishment
- Staff lounge
- Consultation



ADMINISTRATIVE SPACES

APPLICATIONS

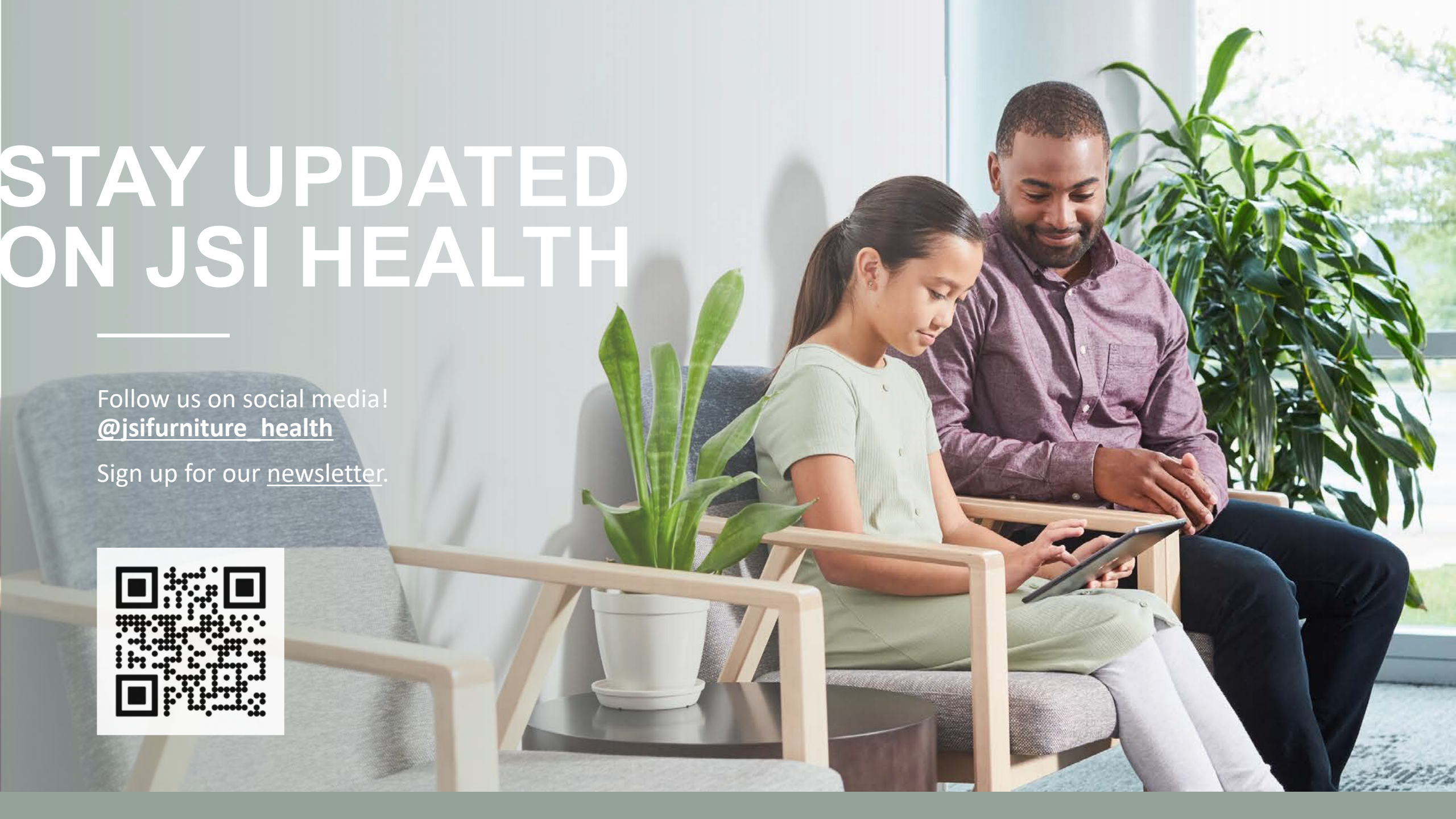
- Workspace
- Nourishment + respite
- Conference
- Learning



STAY UPDATED ON JSI HEALTH

Follow us on social media!
[@jsifurniture_health](https://www.instagram.com/jsifurniture_health)

Sign up for our [newsletter](#).



Find more resources at
[JSIFURNITURE.COM/HEALTH](https://www.jsifurniture.com/health)

SOLUTIONS FOR CARE

Introducing JSI Health's new family of products

See Healthcare Products

Bringing comfort where it's needed most

Lorem Ipsum is simply dummy text of the printing and typesetting industry. Lorem Ipsum has been the industry's standard dummy text ever since the 1500s, when an unknown printer took a galley of type and scrambled it to make a type specimen book. It has survived not only five centuries, but also the leap into

love where you



LOVE WHERE YOU THRIVE. LOVE WHERE YOU CARE.

love where you heal