

Ansen Order Check List:



ANSEN

Specify:

- 1. Model Number
- 2. Wood Species - Maple (M)
- 3. Wood Finish/Color
- 4. Fabric Selection - vendor, pattern and color
- 5. Optional Scuff Plate - Brass (BRASS), Matte Black (BLACK) or Polished Aluminum (PAM) - add \$19 list
- 6. Optional Rubber Cushion Nylon Glides - no upcharge

Example:

AS1414D <small>(model #)</small>	M <small>(wood species)</small>	AUB <small>(finish)</small>	MOMENTUM <small>(fabric vendor)</small>	VOX <small>(pattern name)</small>	MYSTIC <small>(pattern color)</small>	PAM <small>(scuff plate)</small>
--	---	---------------------------------------	---	---	---	--

1. Model Number

2. Wood Species - Maple (M)

3. Finish Options:

Maple Finish

CAG Aged Ash Coordinate	CGR Graphite Coordinate
ALM Ale Medium	HRV Harvest
AUB Auburn	HEN Henna
BRL Barley	CHL High Line Coordinate
CBE Blonde Echo Coordinate	HNY Honey
BBM Bourbon Medium	CKC Khaki Coordinate
CBZ Brazilwood Coordinate	HNY Honey
BRM Brighton Medium	LGC Legacy
BRW Brownie	MCH Mocha
BUT Butterscotch	NTO Night Owl
CAN Canyon	NUT Nut Brown
CIN Cinnamon	COA Oatmeal Cookie Coordinate
CIT Citron	CPI Pinnacle Walnut Coordinate
CLA Classic	PRL Praline
CCF Coffee Coordinate	PRL Praline
CLL Collectors	SAF Saffron
CCR Cremello Coordinate	SIE Sienna
DES Desert	CST Studio Teak Coordinate
EAR Earthy	TOF Toffee
ECU Ecru	TRF Truffle
ESP Espresso	VEN Venetian
FLX Flax	CVI Vintage Coordinate
CFL Florence Walnut Coordinate	CWH Walnut Heights Coordinate
CFO Fossil Coordinate	CWE Weathered Ash Coordinate

Color: Add \$36 list per item

BKD Backdrop	GRV Greek Villa
BFX Black Fox	NET Network Gray
BWH Bright White	NWH Nonchalant White
CGP Cargo Pants	STM Storm
CHT Chatroom	TRC Tricorn Black
FRR French Roast	

4. Fabric Selection - Please supply the following:

- Fabric vendor
- Pattern name
- Pattern color

[For a complete list of JSI Graded-In Fabric click here](#)

- Indicate direction of fabric - Railroaded or Up the Roll
- Please provide illustration, if available

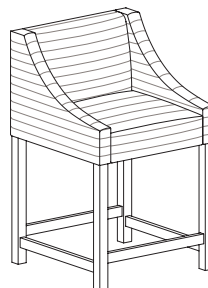
All COM orders must include the following:

- Vendor's name, pattern name and color
- Sample of the fabric attached to the order
- Model numbers of items for fabric application
- Special application instructions (e.g., all stripes will be applied front to back unless specified otherwise)
- Customer and purchase order number

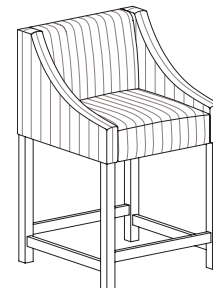
Ship prepaid COM material to:

JSI
Attn: COM Department
201 East Martin Street
Receiving B, Dock 71
Orleans, IN 47452

Application of fabrics:



Railroaded

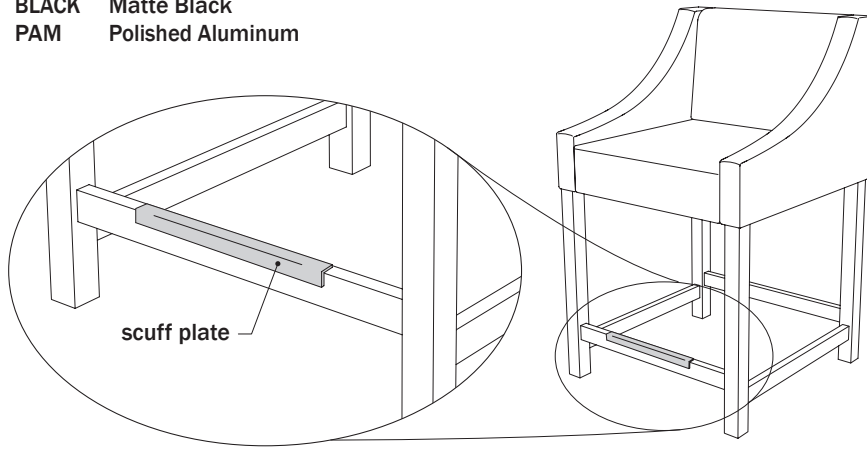


Up the Roll

All COM orders will ship at standard lead time from receipt of COM except for orders requiring special custom matched finishes.

5. Optional Scuff Plate - add \$19 list; specify color

- BRASS Brass
- BLACK Matte Black
- PAM Polished Aluminum

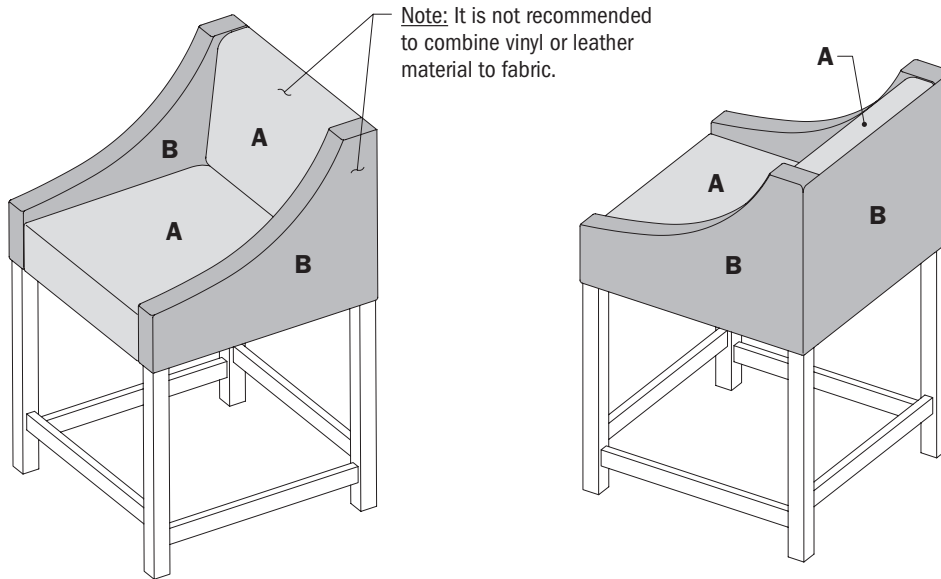


ANSEN

6. Optional Rubber Cushion Nylon Glides - no upcharge

Contrasting Upholstery

Ansen stools can be specified with contrasting upholstery. When specified, the unit will be priced based on the highest grade fabric selected. Specify seat/interior back fabric (A), and arms/exterior back fabric (B) on your order. See below:



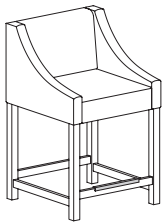
Description

1 Model

Specifications

List Price Per Grade

Counter Height Stool



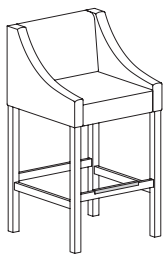
AS1414D

- upholstered seat and back
- optional matte black, polished aluminum or brass scuff plate available; specify color and add \$19 list each

Dimensions	D	W	H
Overall	21 3/4	22	35 3/4
Seat	18	17 1/2	24
Arm			--
Upholstery		Shipping	
COM Ydg	2 3/4	Ctn Wt	22
COL Sq Ft	49	Cu Ft	12

COM	\$821
A	\$847
B	\$898
COL/C	\$987
D	\$1,102
E	\$1,216
F	\$1,394
G	\$1,586
H	\$1,789
I	\$2,108
J	\$2,489
L1	\$1,929
L2	\$2,235

Counter Height Stool



AS1418D

- upholstered seat and back
- optional matte black, polished aluminum or brass scuff plate available; specify color and add \$19 list each

Dimensions	D	W	H
Overall	21 3/4	22	41 3/4
Seat	18	17 1/2	30
Arm			--
Upholstery		Shipping	
COM Ydg	2 3/4	Ctn Wt	25
COL Sq Ft	49	Cu Ft	12

COM	\$821
A	\$847
B	\$898
COL/C	\$987
D	\$1,102
E	\$1,216
F	\$1,394
G	\$1,586
H	\$1,789
I	\$2,108
J	\$2,489
L1	\$1,929
L2	\$2,235

To Order, Specify:

- 1 Model Number
- 2 Wood Species - Maple (M)
- 3 Wood Frame Finish
 - a.) Maple Finish
 - b.) Paint Color - upcharge applies
- 4 Fabric Selection - vendor, pattern and color
- 5 Optional Scuff Plate - Matte Black (BLK), Brass (BRASS), Polished Aluminum (PAM) - add \$19 list
- 6 Optional Rubber Cushion Nylon Glides - no upcharge

3 Wood Finish/Color Options:

Maple			
CAG	Aged Ash Coordinate	CFO	Fossil Coordinate
ALM	Ale Medium	CGR	Graphite Coordinate
AUB	Auburn	HRV	Harvest
BRL	Barley	HEN	Henna
CBE	Blonde Echo Coordinate	CHL	High Line Coordinate
BBM	Bourbon Medium	HNY	Honey
CBZ	Brazilwood Coordinate	CKC	Khaki Coordinate
BRW	Brownie	LGC	Legacy
BRM	Brighton Medium	MCH	Mocha
BUT	Butterscotch	NTO	Night Owl
CAN	Canyon	NUT	Nut Brown
CIN	Cinnamon	COA	Oatmeal Cook Coordinate
CIT	Citron	CPI	Pinnacle Walnut Coordinate
CLA	Classic	PRL	Praline
CCF	Coffee Coordinate	SAF	Saffron
CLL	Collectors	SIE	Sienna
CCR	Cremello Coordinate	CST	Studio Teak Coordinate
DES	Desert	TOF	Toffee
EAR	Earthy	TRF	Truffle
ECU	Ecru	VEN	Venetian
ESP	Espresso	CVI	Vintage Coordinate
FLX	Flax	CWH	Walnut Heights Coordinate
CFL	Florence Walnut Coordinate	CWE	Weathered Ash Coordinate

Color - Add \$36 list per item

BKD	Backdrop	GRV	Greek Villa
BFX	Black Fox	NET	Network Gray
BWH	Bright White	NET	Nonchalant White
CGP	Cargo Pants	STM	Storm
CHT	Chatroom	TRC	Tricorn Black
FRR	French Roast		

- 4 See a selection of graded in fabric manufacturers and patterns on pages 20-28. Contact Customer Service for additional fabric options.

Specifications

- Wood Species - Maple.
- Seat is upholstered with 2" high density polyurethane foam and synthetic sheet webbing for added comfort.
- Seat has single needle top stitch detail for added style and durability.
- Back is upholstered with 1 1/2" polyurethane foam.
- Mortise and tenon construction with corner blocks, glue and screws.
- Standard with rubber cushion metal glides.