



Reef

Multipurpose Tables

 JSI #lovewhatyoudo

REEF



Panel Table



Layered Table



Layered Table with
Asymmetric Bookshelf



Layered Table with Full
Width Bookcase



Wall Dependent
Panel Table



Wall Dependent
Layered Table



Wall Dependent
Layered Table with
Asymmetric Bookshelf



Wall Dependent
Layered Table with Full
Width Bookcase

REEF

PANEL TABLE

Heights: 30", 37", 42"

Depths: 20", 36", 42", 48"

Widths: 54", 60", 72", 84", 96"



REEF

LAYERED TABLE

Integrated shelf (3" h) for storing notebooks, devices, etc during meetings.

Heights: 30", 37", 42"

Depths: 20", 36", 42", 48"

Widths: 54", 60", 72", 84", 96"



REEF

LAYERED TABLE WITH ASYMETRIC BOOKSHELF

Integrated shelf

Bookshelf on one end

2 adjustable shelves on 42" h

1 adjustable shelf on 37" h
and 30" h

Heights: 30", 37", 42"

Depths: 20", 36", 42", 48"

Widths: 54", 60", 72", 84", 96"



REEF

LAYERED TABLE WITH FULL WIDTH BOOKSHELF

Only offered in 3 sizes at 37" h

48x72x37

42x72x37

20x72x37



REEF

WALL DEPENDENT TABLES

20"D tables are intended for use against a wall, but do not attach to the wall
96"w not available



Wall Dependent
Panel Table



Wall Dependent
Layered Table



Wall Dependent
Layered Table with
Asymmetric Bookshelf



Wall Dependent
Layered Table with Full
Width Bookcase

REEF



Belair

Egret

Fawn

Pilsner

Clay

Outback

Mesa

Brickdust

MATERIALS

Laminate



Umber

Weathered Ash

Mineral

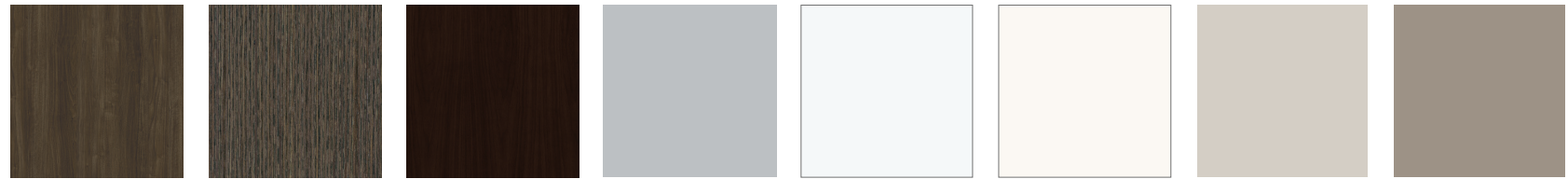
Loft

Pinnacle Walnut

Valley

Walnut Heights

Mocha



Florence Walnut

Flint

Cask

Zen Grey

Designer White

Alabaster

Bridal Blanco

Shadow



Slate Gray

Black

REEF



Egret

Fawn

Buff

Pilsner

Clay

Outback

Mesa

Sienna

MATERIALS

Veneer



Brickdust

Rye

Valley

Mocha

Flax

Sable

Barrel

Umber



Truffle

Cask

Mineral

Loft

Flint

Saddle

Cinder

Raven

REEF



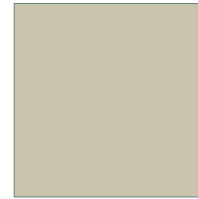
Bright White



Greek Villa



Nonchalant White



Univeral Khaki



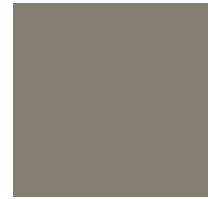
Silver Plate



Skyline Steel



Chatroom



Backdrop

MATERIALS

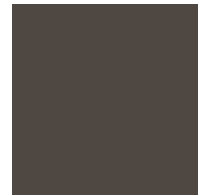
Paint



Storm



Gale Force



Black Fox



Tricorn Black

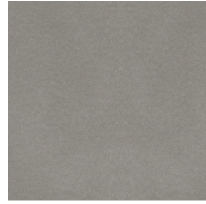
REEF

MATERIALS

Metal



Arctic Silver



Soft Nickel



Pewter



Matte Black



Aged Bronze



Soft Bronze



Gold

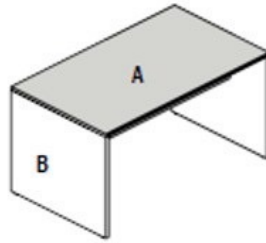
REEF

MATERIAL COMBINATIONS

Only one veneer finish can be selected per table.

Stretcher matches “B” and grain runs horizontal

Panel Table



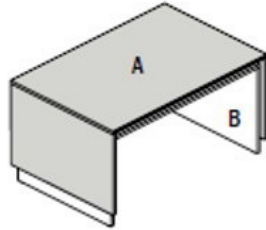
REV - Veneer
A Worksurface
Veneer
B Panels
Veneer
Paint

Note: Stretcher matches "B"

RET - Laminate
A Worksurface
Laminate
B Panels
Laminate

Note: Stretcher matches "B"

Layered Table



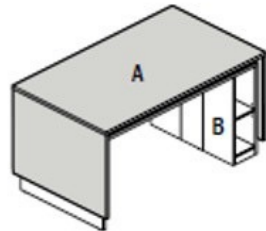
REV - Veneer
A Worksurface/Outer Panels
Veneer
B Inner Panels
Veneer
Paint

Note: Stretcher matches "B"

RET - Laminate
A Worksurface/Outer Panels
Laminate
B Inner Panels
Laminate

Note: Stretcher matches "B"

Layered Table with Asymmetric Bookshelf



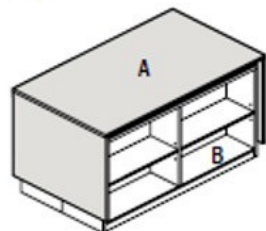
REV - Veneer
A Worksurface/Outer Panels
Veneer
B Bookcase/Inner Panels
Veneer
Paint

Note: Stretcher matches "B"

RET - Laminate
A Worksurface/Outer Panels
Laminate
B Bookcase/Inner Panels
Laminate

Note: Stretcher matches "B"

Layered Table with Full Width Bookcase



REV - Veneer
A Worksurface/Outer Panels
Veneer
B Bookcase/Inner Panels
Veneer
Paint

Note: Stretcher matches "B"

RET - Laminate
A Worksurface/Outer Panels
Laminate
B Bookcase/Inner Panels
Laminate

Note: Stretcher matches "B"

REEF

OPTIONAL FOOT RAIL

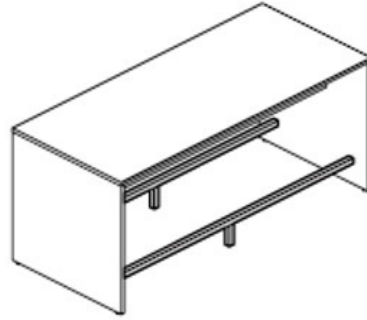
Available on 42" h tables
96" w tables have center foot

Optional Foot Rail

Optional foot rail is available on the 42" h tables. Available in the Arctic Silver, Black Sandtex or Soft Nickel powder coat finish.

Double Sided Table - Two Rails - add \$772 list

Single Sided Table - One Rail - add \$416 list



96" wide



54", 60", 72", & 84" wide



REEF

OPTIONAL COAT HOOK

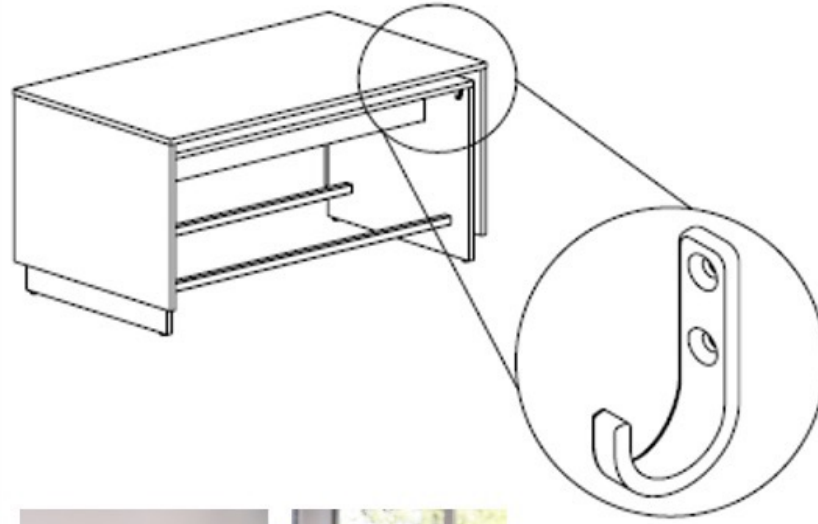
Available on 42" h and 37" h tables
When ordered, one for each corner is supplied.

Optional Coat Hook

Optional satin stainless steel coat hook is available on the 42" h and 37" h tables.

Double Sided Table - Four Hooks - add \$140 list

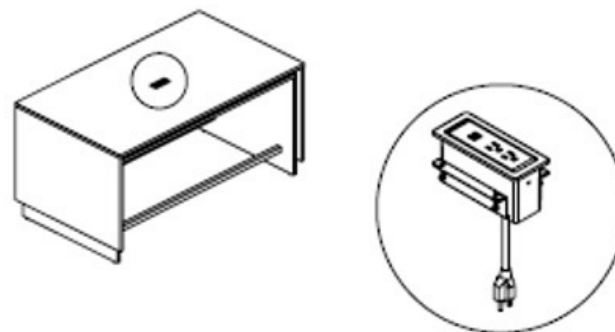
Single Sided Table - Two Hooks - add \$84 list



Optional Worksurface Power

Optional Worksurface Power (EC26) is available on 48", 42" and 36" deep units. Indicate "to accommodate Worksurface Power" on your purchase order. When this option is specified the worksurface will have one cut out in the center. One EC26 Worksurface Power unit must be ordered separately, see page 26. Length of cord is 10 feet.

Note: Not available on wall dependent tables or tables with full width bookcases.



REEF

POWER

Worksurface Mount (EC26)

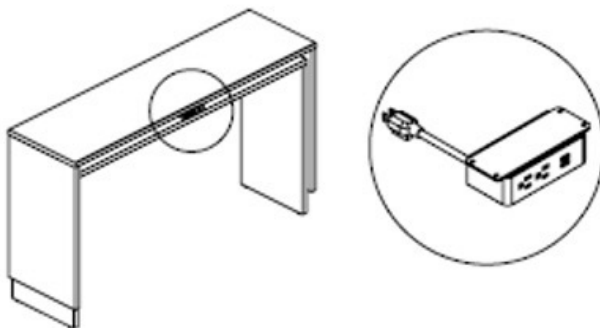
- centered on table
- must specify this option with table and order power unit separately
- not available on full bookcase tables or wall dependent tables



Under Surface Power

Under Surface Power (EC27) may be ordered for 48", 42", 36" and 20" deep units. The 48", 42" and 36" deep units can accommodate power unit on each side of the table. The 20" deep units can accommodate power units on the non-wall side. The EC27 Under Surface Power Unit(s) must be ordered separately, see page 26. This unit is field installed. Length of cord is 10 feet.

Note: Not available on tables with full width bookcases.



REEF

POWER

Under Surface Mount (EC27)

- ordered separately
- field installed
- not available on full bookcase tables



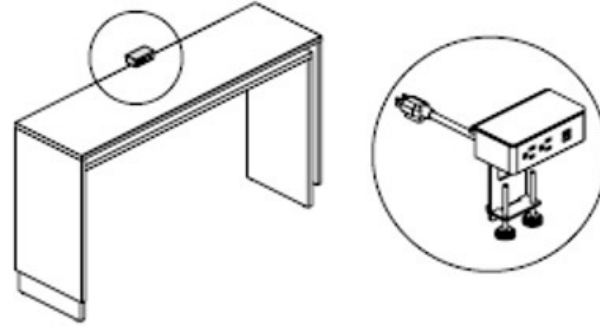
REEF

POWER

Edge Mount (EC28)
-ordered separately
-field installed

Edge Mount Power

Edge Mount Power (EC28) may be ordered for 20" deep units. This unit is field installed. Ordering information can be found on page 26. Length of power cord is 6 feet.



REEF

WIRE MANAGEMENT

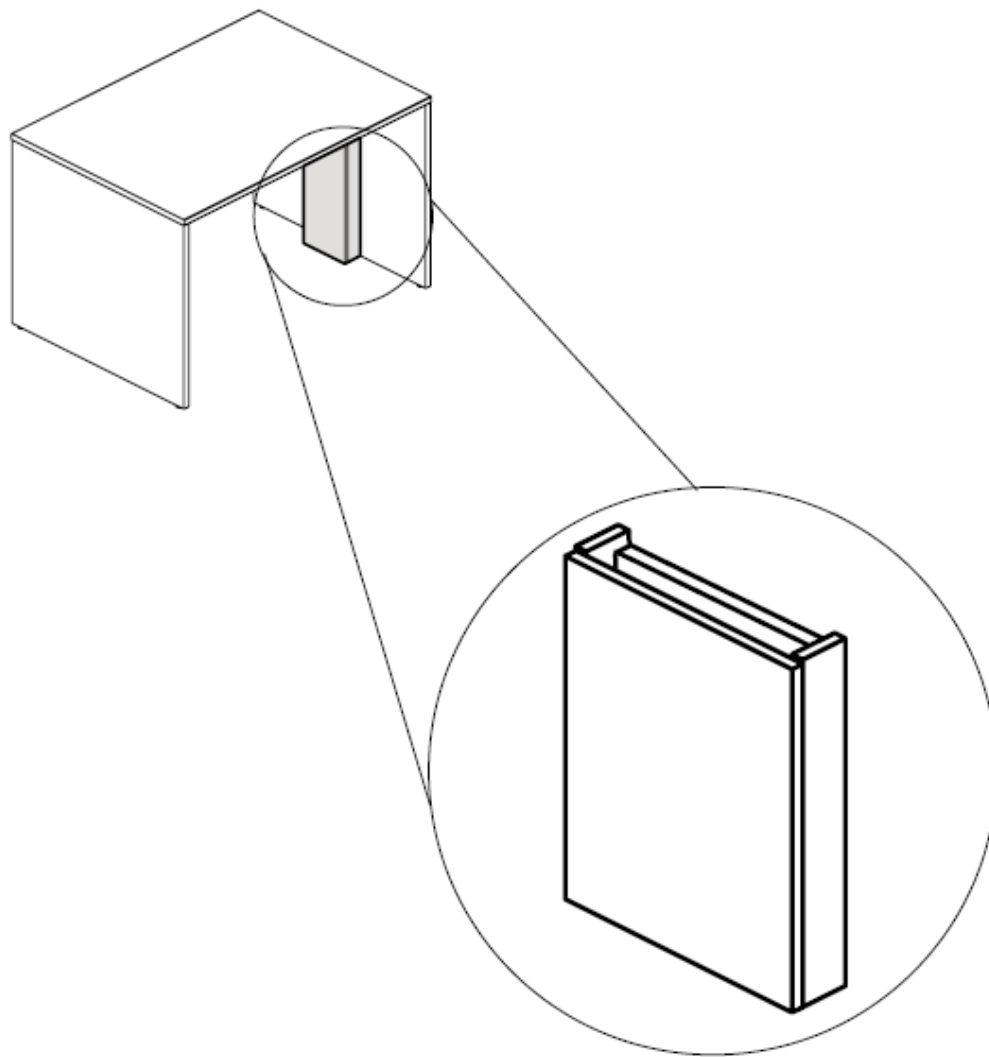
Stretcher rails create a wire chase under tables. Asymmetric Bookshelf Tables have an integrated wire chase with a removable panel.



Vertical Wire Manager

Vertical Wire Manager is optional on the 48", 42" and 36" deep units, select veneer or laminate.

Note: Not available on 20"d units.



REEF

WIRE MANAGEMENT

Vertical Wire Managers can be ordered separately to hide wires. Chart in pricelist for determining size.

REEF

PRICELIST

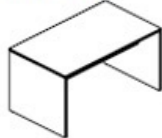
Separate model #'s for Veneer/Laminate

Three pricing columns:

- Veneer Flat Cut and Double Cut
- TFL Top
- HPL Top



Reef

Description	D	W	H	CTN WT	CU FT	Model	Veneer Flat Cut and Double Cut List Price	TFL Laminate List Price	HPL Laminate List Price	
 37th Panel Table	48	96	37	286	32	REV4896-37PT	\$3209			
	48	96	37	286	32	RET4896-37PT		\$1381	\$1894	
	48	84	37	263	29	REV4884-37PT	\$3,027			
	48	84	37	263	29	RET4884-37PT		\$1,302	\$1,786	
	48	72	37	240	26	REV4872-37PT	\$2,853			
	48	72	37	240	26	RET4872-37PT		\$1,218	\$1,656	
	48	60	37	218	23	REV4860-37PT	\$2,697			
	48	60	37	218	23	RET4860-37PT		\$1,142	\$1,539	
									\$1,108	\$1,488
									\$1,292	\$1,760
									\$1,218	\$1,660
									\$1,139	\$1,540

Model	Veneer Flat Cut and Double Cut List Price	TFL Laminate List Price	HPL Laminate List Price		
REV4896-37PT	\$3209			\$1,218	\$1,660
RET4896-37PT		\$1381	\$1894		
REV4884-37PT	\$3,027			\$1,069	\$1,433
RET4884-37PT		\$1,302	\$1,786	\$1,038	\$1,386
REV4872-37PT	\$2,853			\$1,189	\$1,620
RET4872-37PT		\$1,218	\$1,656		
REV4860-37PT	\$2,697			\$1,121	\$1,528
RET4860-37PT		\$1,142	\$1,539	\$1,049	\$1,417
REV4854-37PT	\$2,628			\$984	\$1,319
RET4854-37PT		\$1,108	\$1,488	\$956	\$1,276
REV4296-37PT	\$3021				
RET4296-37PT		\$1292	\$1760		
REV4284-37PT	\$2,850				
RET4284-37PT		\$1,218	\$1,660		

a.) Worksurface wood species - Cherry (CH), Maple (MA), Walnut (WA) or Double Cut (DC) (see page 2)
 b.) Same as Worksurface
 c.) Paint (see page 2)
 d.) Finish Color (see page 2)
 e.) Other Product Options
 f.) TFL
 g.) HPL
 h.) Worksurface Laminate Color (see page 3)
 i.) Panels Laminate Color
 a.) Same as Worksurface
 b.) Other Laminate (see page 3)
 c.) Other Product Options

Reef

REEF


PRICELIST

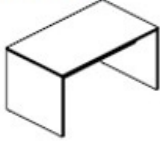
Separate model #'s for Veneer/Laminate

Three pricing columns:

- Veneer Flat Cut and Double Cut
- TFL Top
- HPL Top

Reef



Description	D	W	H	CTN WT	CU FT	Model	Veneer Flat Cut and Double Cut List Price	TFL Laminate List Price	HPL Laminate List Price
37"h Panel Table	48	96	37	286	32	REV4896-37PT	\$3209		
	48	96	37	286	32	RET4896-37PT		\$1381	\$1894
	48	84	37	263	29	REV4884-37PT	\$3,027		
	48	84	37	263	29	RET4884-37PT		\$1,302	\$1,786
	48	72	37	240	26	REV4872-37PT	\$2,853		
	48	72	37	240	26	RET4872-37PT		\$1,218	\$1,656
	48	60	37	218	23	REV4860-37PT	\$2,697		
	48	60	37	218	23	RET4860-37PT		\$1,142	\$1,539
	48	54	37	206	22	REV4854-37PT	\$2,628		
	48	54	37	206	22	RET4854-37PT		\$1,108	\$1,488
	42	96	37	258	29	REV4296-37PT	\$3021		
	42	96	37	258	29	RET4296-37PT		\$1292	\$1760
	42	84	37	237	26	REV4284-37PT	\$2,850		
	42	84	37	237	26	RET4284-37PT		\$1,218	\$1,660
	42	72	37	216	24	REV4272-37PT	\$2,687		
	42	72	37	216	24	RET4272-37PT		\$1,139	\$1,540
	42	60	37	196	21	REV4260-37PT	\$2,541		
	42	60	37	196	21	RET4260-37PT		\$1,069	\$1,433
	42	54	37	185	20	REV4254-37PT	\$2,477		
	42	54	37	185	20	RET4254-37PT		\$1,038	\$1,386
	36	96	37	229	25	REV3696-37PT	\$2780		
	36	96	37	229	25	RET3696-37PT		\$1189	\$1620

Reef

To Order, Specify:

Veneer

- 1 Model Number
- 2 Worksurface Wood Species - Cherry (CH1), Maple (MA1), Walnut (WA1) or Double Cut (DC1) (see page 2)
- 3 Finish Color (see page 2)

Laminate

- 1 Model Number
- 2 Worksurface Material (see page 3)
 - a.) TFL
 - b.) HPL
- 3 Worksurface Laminate Color (see page 3)
- 4 Panels Laminate Color
 - a.) Same as Worksurface
 - b.) Other Laminate (see page 3)
- 5 Other Product Options

4 Panels Species & Finish

- a.) Same as Worksurface
- b.) Paint (see page 2)

5 Other Product Options

- EC27 undersurface power available, see page 26
- wire manager available, see page 25
- optional coat hooks (four hooks), specify and add \$140 list

To Order, Specify:

Veneer

- 1 Model Number
- 2 Worksurface Wood Species - Cherry (CH1), Maple (MA1), Walnut (WA1) or Double Cut (DC1) (see page 2)
- 3 Finish Color (see page 2)

Laminate

- 1 Model Number
- 2 Worksurface Material (see page 3)
 - a.) TFL
 - b.) HPL
- 3 Worksurface Laminate Color (see page 3)
- 4 Panels Laminate Color
 - a.) Same as Worksurface
 - b.) Other Laminate (see page 3)
- 5 Other Product Options

Reef 11

REEF



Find more resources at
JSIFURNITURE.COM

