

Strata Product Information

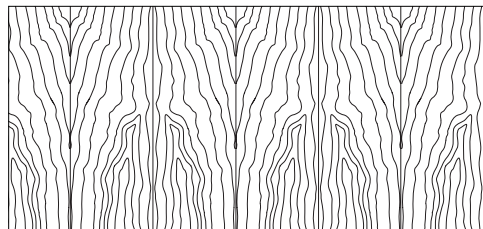


Strata Product Information

Strata Veneer

Exterior Wood Materials

Exterior surfaces are made from the finest selected veneers to achieve clarity and consistency in the Strata Veneer product line. To attain a pleasing, symmetrical pattern, all cherry, maple and walnut veneers are book-matched. All exterior solid lumber is matched to coordinate with the veneer.

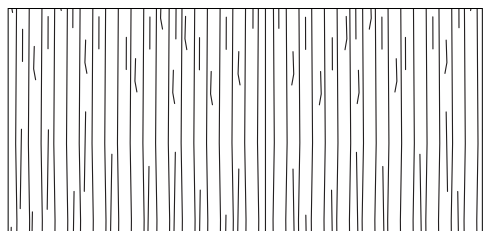


Book-Matched Example

Alternating pieces of veneer are flipped over so they face each other like the pages within a book.

Strata Veneer is available in flat cut cherry, maple and walnut veneer. A wide range of wood stains have been formulated to enhance the beauty of the veneer.

Double Cut veneer is another choice on Strata Veneer product. This veneer is a processed product that has at least two cuttings to create the final veneers. These cuts of veneer strands are dyed and layered into a block to create variation of patterns from a very tight grain pattern to an exotic figure grain pattern. The diagram below shows the tight pattern used on Strata Veneer.



Solid painted finishes on MDF are also offered to provide an accent to the Strata product.

Worksurface Construction

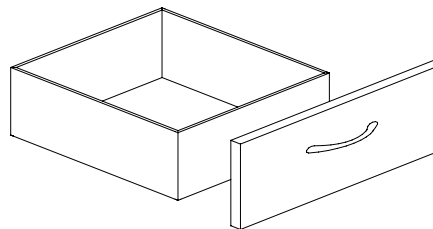
Tops are 5-ply balanced construction, 1 $\frac{3}{16}$ " thick with solid matching hardwood edges. Surfaces are available in wood veneer or high pressure laminate. No additional charge for using our coordinating high pressure laminate with a veneer grain pattern with finish wood edges.

Case Construction

Outside panels are $\frac{3}{4}$ " and joined together with dowels reinforced with screws, cleats and metal fasteners for increased stability. Leveling glides are set into solid hardwood blocks, which helps to prevent the leveling glide from tear out. Tops are secured to the chassis with top fastening cleats screwed to the inside of the panels.

Drawers

The unidirectional V-Fold drawer box is a durable miter-fold drawer structure which is glued and doweled. The $\frac{1}{2}$ " thick drawer sides are wrapped in a high grade maple vinyl, with an attached front. The drawer front is attached to the four sided box.



Drawer Suspension

High quality black drawer suspension carries a lifetime warranty. File and box drawers have 100% full extension with over travel. Slides feature steel ball bearings for longer wear and positive, cushioned in/out stops.

Locking

Desk and return pedestals feature pedestal front locking to provide maximum security and flexibility in configuration.

Units are shipped randomly keyed as standard. Key alike units are available upon request for no additional charges. Removable cores for in-field re-keying are standard. product.

Installation

Installation assistance is available, contact Customer Service for a quote.

Strata Product Information

Finish - Stain/Colors

We offer a variety of wood stains and paint colors on Strata. Please see the chart below. Samples are available upon request.

CH1 Cherry *Flat Cut Veneer*

BRL Barley	EAR Earthy
BBN Bourbon	HRV Harvest
BRG Brighton	LGC Legacy
CLA Classic	PRL Praline
CLL Collectors	SAF Saffron

MA1 Maple *Flat Cut Veneer*

ALE Ale	FLX Flax
BUT Butterscotch	VEN Venetian
CIN Cinnamon	

WA1 Walnut *Flat Cut Veneer*

AUB Auburn	SIE Sienna
ESP Espresso	TOF Toffee
MCH Mocha	TRF Truffle
NTO Night Owl	

DC1 Double Cut Veneer

COF Coffee	GRH Graphite
CRM Cremello	KHK Khaki
FOS Fossil	STU Studio Teak

PNT Paint

BKD Backdrop	GRV Greek Villa
BFX Black Fox	NET Network Gray
BWH Bright White	NWH Nonchalant White
CGP Cargo Pants	STM Storm
CHT Chatroom	TRC Tricorn Black
FRR French Roast	

Protective Top Coat

DuraTex™ offers exceptional hardness along with abrasion and impact resistance, it has been formulated to eliminate hazardous and harmful gases that are normally associated with wood finish.

DuraTex™ Features

Safety - Significantly reduces hazardous formaldehyde emissions which help improve the quality of the indoor air we breathe. **Quality** - Developed to be tough and durable with special attention to appearance. The DuraTex™ finish preserves the natural beauty of wood. **Durability** - Designed to meet a wide range of demanding performance and environmental standards to withstand even the highest wear and tear.

Custom/Special Finishes

JSI, upon request, will accommodate special finishes. A written request is required to proceed with custom finish orders. A sample reference is required for first time matches and must be included with the written request.

There is a one time charge of **\$321 list per order** for any non-standard wood finish.

Orders will be entered noting the special finish. A sample match will be provided to the customer. Written approval is needed before the finish process can be started. Delays in approval may have an impact on lead times.

Every effort will be made to create the requested match; however, an acceptable match may not be possible because of natural variations of wood. These natural variations can also cause minor differences in the final finish product.

Product Modification

Laminate Tops

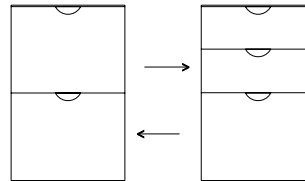
Worksurface only, no additional upcharge if coordinating wood grain laminate is specified. Contact Customer Service for any other laminate request. Listed below are finishes that have coordinating wood grain HPL laminates.

Cherry Finishes	Maple Finishes	Walnut Finishes
Barley	Ale	Auburn
Bourbon	Cinnamon	Mocha
Brighton	Venetian	Night Owl
Classic		Sienna
Collectors		Toffee
Legacy		Truffle
Praline		
Saffron		

Pedestal Configuration Change

File/File configuration is standard on the reception station.

Strata pedestal drawer configuration can be reconfigured to a Box/Box/File configuration, but must be specified at the time of order; no additional upcharge.



Wood Drawers

Four corner dovetailed wood drawers must be specified at the time of order placement. Specify and add \$223

Strata Product Information

Strata Laminate

Strata Laminate features HPL (high pressure laminate) worksurfaces and TFL (thermally fused laminate) chassis.

Edges of the worksurface are banded with impact resistant (PVC). The laminate is offered in 29 wood grain patterns and 5 solid colors. Wood grain laminates feature an embossed grain that adds texture and helps to hide finger prints and light scratches. The solid color laminates are smooth to the touch with a semi-matte finish. All Strata Laminate products are indoor-air certified by GreenGuard.

The chart below lists the laminates available on the Strata product.

Wood Grain Pattern Laminates

AGA Aged Ash	MCH Mocha
ALE Ale	NTO Night Owl
AUB Auburn	OAT Oatmeal Cookie
BRL Barley	PIN Pinnacle Walnut
BLO Blonde Echo	PRL Praline
BBN Bourbon	SAF Saffron
BZW Brazilwood	SIE Sienna
BRG Brighton	STU Studio Teak
CIN Cinnamon	TOF Toffee
CLA Classic	TRF Truffle
CLL Collectors	VEN Venetian
FLO Florence Walnut	VIN Vintage
GRH Graphite	WLH Walnut Heights
HGL High Line	WEA Weathered Ash
LGC Legacy	

Solid Laminates

ALB Alabaster	SHD Shadow
BBL Bridal Blanco	SLG Slate Grey
DWH Designer White	

Worksurfaces

Worksurfaces are manufactured with 3-ply balanced construction. Tops are 1 3/8" thick with coordinating PVC edges. Worksurfaces feature 3mm PVC edges on user sides. Edge detail is flat with eased edge on top and bottom. Worksurface ends are banded with 1mm PVC.

HPL Features on Worksurfaces

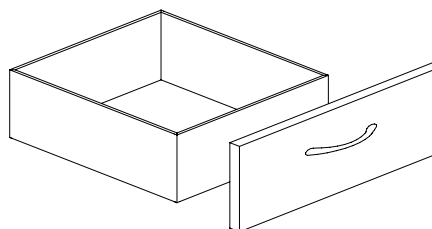
Fusion of multiple layers creates a higher impact resistant surface. Tops are 3-ply balanced construction. Available in all wood grain and solid patterns.

Case Construction

Panels for chassis consist of a 3/4" thick substrate with TFL surfaces and PVC bands on exposed edges. Pedestals and cabinets are constructed with dowels reinforced with screws, cleats and metal fasteners for increased stability. Leveling glides are set into solid hardwood blocks, which helps to prevent the leveling glide from tear out.

Drawers

The unidirectional V-Fold drawer box is a durable miter-fold drawer structure which is glued and doweled. The 1/2" thick drawer sides are wrapped in a high grade maple vinyl, with an attached front. The drawer front is attached to the four sided box.



Drawer Suspension

High quality black drawer suspension carries a lifetime warranty. File and box drawers have 100% full extension with over travel. Slides feature steel ball bearings for longer wear and positive, cushioned in/out stops.

Locking

Desk and return pedestals feature pedestal front locking to provide maximum security and flexibility in configuration.

Units are shipped randomly keyed as standard. Key alike units are available upon request for no additional charges. Removable cores for in-field re-keying are standard.

Installation

Installation assistance is available, contact Customer Service for a quote.

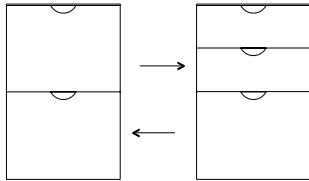
Strata Product Information

Product Modification

Pedestal Configuration Change

File/File configuration is standard on the reception station.

Strata pedestal drawer configuration can be reconfigured to a Box/Box/File configuration, but must be specified at the time of order; no additional upcharge.

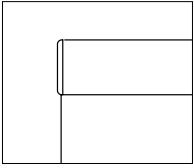


Wood Drawers

Four corner dovetailed wood drawers must be specified at the time of order placement. Specify and add \$214 list per unit.

Strata Product Information

Edge Detail

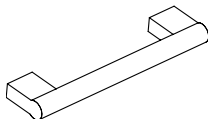


Eased (R3)

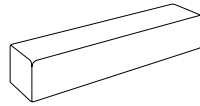
Pull Style and Color Options



Arch
Matte Black (MBK)
Matte Silver (MSL)



Bar
Matte Black (MBK)
Polished Nickel (PNK)



Block
Matte Nickel (MNK)



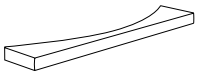
Bow
Matte Nickel (MNK)



Curve
Matte Nickel (MNK)



Fluent
Matte Black (MBK)
Matte Nickel (MNK)



Healy
Matte Nickel (MNK)



Reveel
Matte Nickel (MNK)



Slotted
Matte Black (MBK)
Matte Nickel (MNK)



Sweep
Matte Black (MBK)
Matte Nickel (MNK)

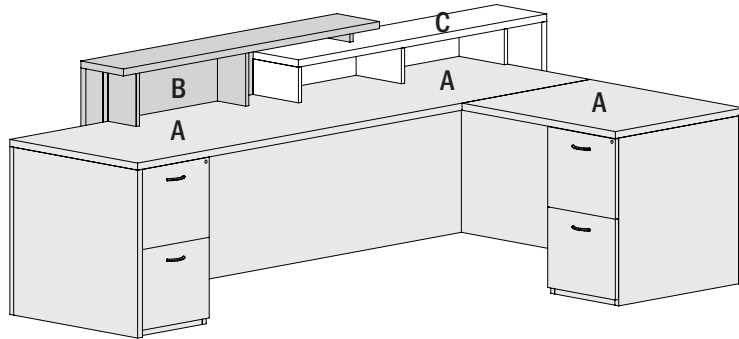


Twist
Matte Nickel (MNK)

Strata Product Information

Product Features and Material Options

Flat Cut

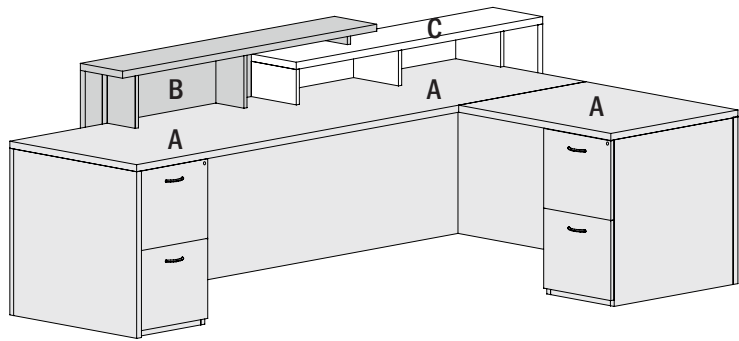


- A Desk/Return**
Flat Cut Veneer
- B Upper Transaction**
Flat Cut Veneer or Paint
- C Lower Transaction**
Flat Cut Veneer or Paint

upper and lower transaction units can be different than the desk/return

upper transaction unit can be different than the lower transaction unit

Double Cut

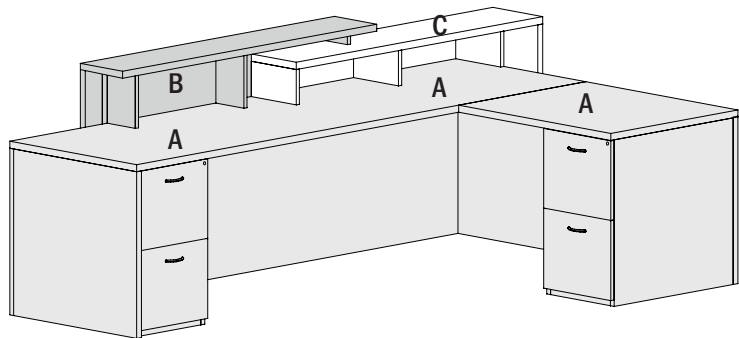


- A Desk/Return**
Double Cut Veneer
- B Upper Transaction**
Double Cut Veneer or Paint
- C Lower Transaction**
Double Cut Veneer or Paint

upper and lower transaction units can be different than the desk/return

upper transaction unit can be different than the lower transaction unit

Laminate



- A Desk/Return**
Laminate
- B Upper Transaction**
Laminate
- C Lower Transaction**
Laminate

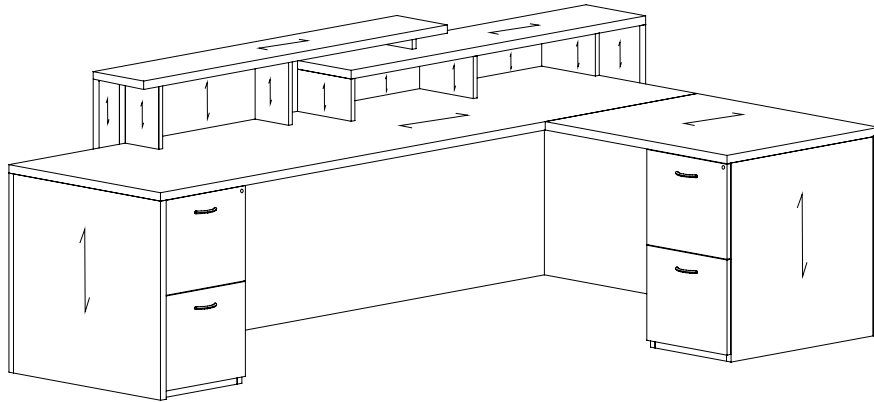
upper and lower transaction units can be different than the desk/return

upper transaction unit can be different than the lower transaction unit

Strata Product Information

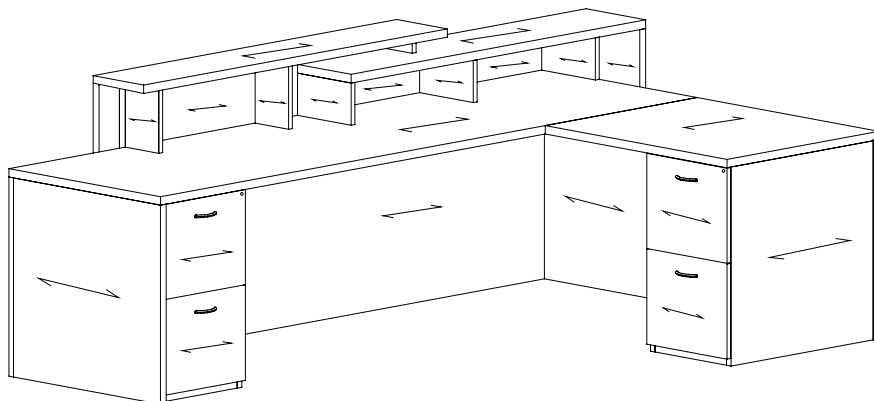
Flat Cut Veneer Grain Direction

Grain Direction on the worksurface will be long grain. Grain direction on the return worksurface will be short grain.
 Grain will run vertical on the chassis of the flat grain veneer units. Grain direction for upper and lower transaction units will run same direction as the desk.



Double Cut Veneer Grain Direction

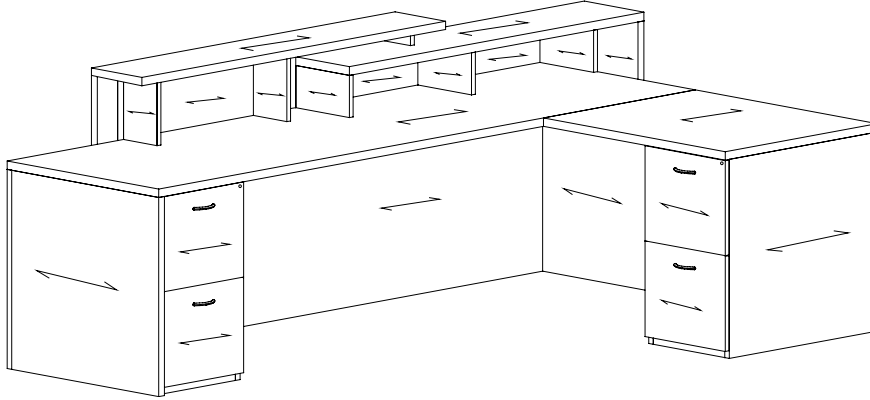
Grain Direction on the worksurface will be long grain. Grain direction on the return worksurface will be short grain.
 Grain will run horizontal on the chassis of the double cut veneer units. Grain direction for upper and lower transaction units will run same direction as the desk.



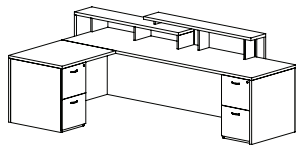
Strata Product Information

Laminate Direction

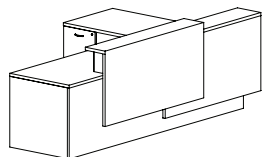
Grain Direction on the worksurface will be long grain. Grain direction on the return worksurface will be short grain on any unit 60" wide or less. Grain will run horizontal on the chassis of the laminate units. Grain direction for upper and lower transaction units will run same direction as the desk.



Description	D	W	H	CTN WT	CU FT	① Model	Veneer List Price	Laminate List Price
Right Single Pedestal Desk with Left Return	67	115	30	618	116	SRV30106RSR	\$38,218	
	67	115	30	618	116	SRT30106RSR		\$30,555



- desk top edge profile user and approach sides
- return top edge profile on user side
- letter width pedestals
- pedestal front locking
- white back painted glass top (40 3/16" x 11 13/16") available for lower transaction shelf; specify and add \$403 list
- dimensions:
- desk - 29 7/8" deep
- return - 30" deep x 36" wide
- 5 7/8" vertical clearance of lower transaction unit
- 9" vertical clearance of upper transaction unit
- ships in 4 cartons

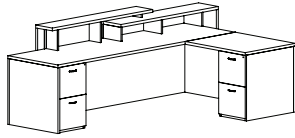


To Order, Specify:

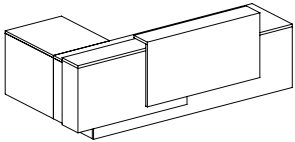
- ① Model Number
- ② Desk & Return Wood Species - Cherry (CH1), Maple (MA1), Walnut (WA1) or Double Cut (DC1) (see page 3)
- ③ Finish (see page 3)
- ④ Lower Transaction Wood Species
 - a. Same as Desk & Return
 - b. Cherry (CH1), Maple (MA1), Walnut (WA1), Double Cut (DC1) or Paint (PNT)
 1. Finish or Paint Color (see page 3)
- ⑤ Upper Transaction Wood Species
 - a. Same as Desk & Return
 - b. Same as Lower Transaction
 - c. Cherry (CH1), Maple (MA1), Walnut (WA1), Double Cut (DC1) or Paint (PNT)
 1. Finish or Paint Color (see page 3)
- ⑥ Pull Option & Color (see page 6)
- ⑦ Product Modifications (see page 3)

Note: Reception station must be specified in all flat cut veneer or all double cut veneer. Cannot mix the two veneer types.

Description	D	W	H	CTN WT	CU FT	① Model	Veneer List Price	Laminate List Price
Left Single Pedestal Desk with Right Return	67	115	30	618	116	SRV30106RSL	\$38,218	
	67	115	30	618	116	SRT30106RSL		\$30,555



- desk top edge profile user and approach sides
- return top edge profile on user side
- letter width pedestals
- pedestal front locking
- white back painted glass top (40 3/16" x 11 13/16") available for lower transaction shelf; specify and add \$403 list
- dimensions:
- desk - 29 7/8" deep
- return - 30" deep x 36" wide
- 5 7/8" vertical clearance of lower transaction unit
- 9" vertical clearance of upper transaction unit
- ships in 4 cartons



To Order, Specify:

- ① Model Number
- ② Desk & Return Wood Species - Cherry (CH1), Maple (MA1), Walnut (WA1) or Double Cut (DC1) (see page 3)
- ③ Finish (see page 3)
- ④ Lower Transaction Wood Species
 - a. Same as Desk & Return
 - b. Cherry (CH1), Maple (MA1), Walnut (WA1), Double Cut (DC1) or Paint (PNT)
 1. Finish or Paint Color (see page 3)
- ⑤ Upper Transaction Wood Species
 - a. Same as Desk & Return
 - b. Same as Lower Transaction
 - c. Cherry (CH1), Maple (MA1), Walnut (WA1), Double Cut (DC1) or Paint (PNT)
 1. Finish or Paint Color (see page 3)
- ⑥ Pull Option & Color (see page 6)
- ⑦ Product Modifications (see page 3)

Note: Reception station must be specified in all flat cut veneer or all double cut veneer. Cannot mix the two veneer types.